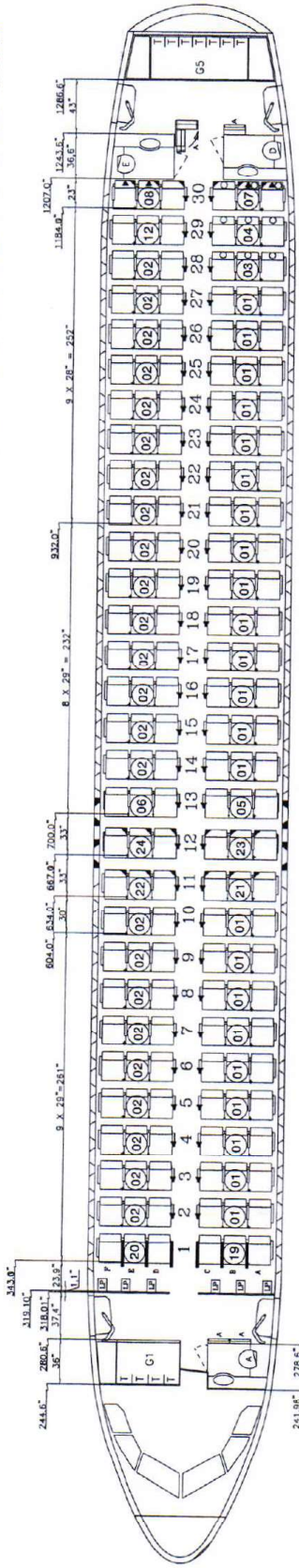


AFTER MODIFICATION

2 3 4 5 7

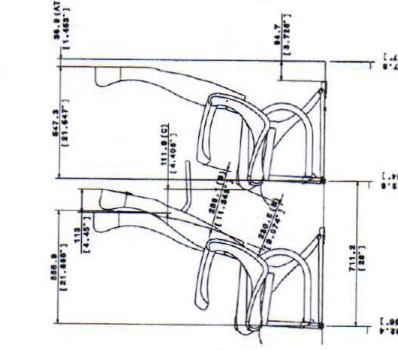
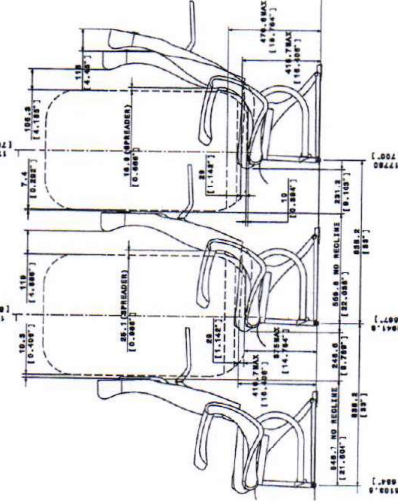
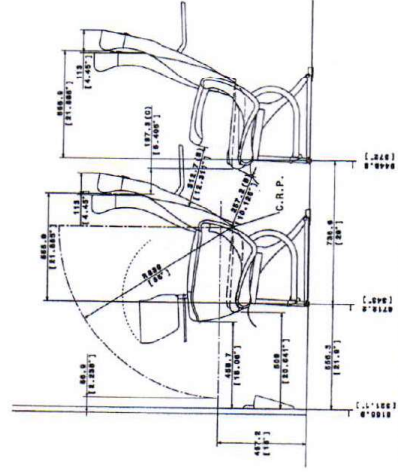
C16 C18 C20 C21 C23 C24 C25 C26 C27 C28 C29 C30 C31 C32 C33 C34 C35 C36 C37 C38 C39 C40 C41 C42 C43 C44 C45 C46 C47 C48 C49 C50 C51 C52 C53 C54 C55 C56 C57 C58 C59 C60 C61 C62 C63 C64 C65 C66 C67 C68 C69 C70



FIRST RAW LATERAL VIEW

EXIT DOOR LATERAL VIEW

LAST RAW LATERAL VIEW



SEATS CHARACTERISTICS AND LEGEND:

- IN ARMREST TABLE
- STRETCHER LOCATION
- NO RECLINE
- LP LITERATURE POCKET
- NARROW SEAT
- ATTENDANT SEAT

◇ SEE SHEET 01

ALL DIMENSIONS IN MILLIMETRES UNLESS OTHERWISE STATED
 ALL WEIGHTS AND MEASUREMENTS UNLESS OTHERWISE STATED ARE THE SOLE PROPERTY OF AIRBUS INTERIORS SERVICES, AS SUCH IT SHALL NOT BE REPRODUCED OR DISCLOSED TO ANY THIRD PARTY.

DATE	16-07-2018	DRN	CTI 860	CHKD	D. PICARD	STRESS	N/A	SIZE	A3	IDENTIFICATION MARKINGS	ABD0001-1	ABD0002	ABD0003
<p>AIRBUS Interiors Services</p> <p>UNITS NOT STATED: SURFACE FINISH: ABD0002</p> <p>DRAWING NUMBER: SEATS INSTALLATION MSN4532</p> <p>CD096-25211003 F</p>													

**ORIGINAL
EN ROUGE
IN RED**

[Handwritten signature]

TECHNICAL NOTE



From
Fabien QUERALT
Head of Methods & Tools - Design Office
T +33 (0)5 67 19 61 51
E fabien.queralt@airbus.com
Ref: AJEM-2018-0006 revA

21 December 2018

OBJECT: Configuration management note

1. INTRODUCTION

This document aims at describing applicability of Airbus Design Office drawing references.

2. DESCRIPTION

The reference drawings are composed by two objects:

- The bill of material (BOM)
- The associated drawing sheet(s) (DWG)

The association between these two objects is indicated inside the BOM.

The title of these two objects is just given as a description and has no impact on the design or the applicability.

In the case of:

- CD096-252610-01A BOM is associated to DWG sheets: CD096-252610S01A, CD096-252610S02A, CD096-252610S03A, CD096-252610S04A
- CD096-252110-01F BOM is associated to DWG sheets: CD096-252110S01F, CD096-252110S02A, CD096-252110S03F

The title of all these previous document reference has "MSN4532" mention; the applicability is not managed by the title and is not limited to only MSN4532.

3. APPLICABILITY

The applicability is indicated inside the Master Drawing List (MDL) document where is mentioned the Aircraft (MSN4532, 4645).

The applicability is also described inside the Service Bulletin.

4. CONCLUSION

As described inside the SB (SB25AI019 revD) and the MDL (MDL AI0057 revC), CD096-252110-01F BOM with associated DWG sheets and CD096-252610-01A BOM with associated DWG sheets are applicable to MSN4532 and MSN4645 Aircraft.

Fabien QUERALT

A large, stylized handwritten signature in black ink, appearing to be "Fabien Queralt".