

ISSUE	DATE	REASON OF CHANGE	PREPARED BY	VERIFIED BY
1	22/04/2022	Initial Issue	DESIGN OFFICE	CVE

SEATS - PART LIST

ITEM	PART NUMBER	DESCRIPTION	QTY
1	3146312-001	SEAT, TRIPLE, LH, STANDARD	23
2	3146302-002	SEAT, TRIPLE, RH, STANDARD	24
3	3146300-024	SEAT, TRIPLE, RH, EXIT, NO O/B ARMREST, NO RECLINE, SPECIAL O/B CUSHION, SPECIAL BACKREST TABLE LATCH	1
4	3146310-023	SEAT, TRIPLE, LH, EXIT, NO O/B ARMREST, NO RECLINE, SPECIAL O/B CUSHION, SPECIAL BACKREST TABLE LATCH	1
5	3146300-022	SEAT, TRIPLE, RH, EXIT, SPECIAL UPRIGHT POSITION, NO RECLINE, SPECIAL BACKREST TABLE LATCH	1
6	3146310-021	SEAT, TRIPLE, LH, EXIT, SPECIAL UPRIGHT POSITION, NO RECLINE, SPECIAL BACKREST TABLE LATCH	1
7	3146303-020	SEAT, TRIPLE, RH, IN-ARM TABLE	1
8	3146313-019	SEAT, TRIPLE, LH, IN-ARM TABLE	1
9	3146302-012	SEAT, TRIPLE, RH, STANDARD	1
10	3146312-01B	SEAT, TRIPLE, LH, STANDARD, STRETCHER PROVISIONS	1
11	3146300-008	SEAT, TRIPLE, RH, NARROW, NO RECLINE, NO BACKREST TABLE	1
12	3146310-07A	SEAT, TRIPLE, LH, NARROW, NO RECLINE, STRETCHER PROVISIONS, NO BACKREST TABLE	1
13	3146302-006	SEAT, TRIPLE, RH, EXIT, NO O/B ARMREST, SPECIAL O/B CUSHION	1
14	3146312-005	SEAT, TRIPLE, LH, EXIT, NO O/B ARMREST, SPECIAL O/B CUSHION	1
15	3146312-01A	SEAT, TRIPLE, LH, STANDARD, STRETCHER PROVISIONS	1

DRAWING INFORMATION:
 This drawing is property of AIRE SL. It is issued on the condition that it is not copied, reproduced or disclosed to a third party either whole or in part without the consent in writing of AIRE SL.

TITLE:
 LAYOUT OF PASSENGER ACCOMMODATIONS IN AIRBUS A320 MSN 2914

PREPARED BY:
 DESIGN OFFICE

REFERENCE:
 DWG-A320C110-2914-LOPA

AIRCRAFT TYPE:
 AIRBUS A320-232

PREPARED BY: Jose Alvarez
SCALE: N/A
SHEET: 1/3
ISSUE: 1

NOTES:

- REARRANGEMENT OF AIRCRAFT LAYOUT OF PASSENGER ACCOMMODATIONS IS TO BE PERFORMED IAW THIS DRAWING AND INSTRUCTIONS SHOWN ON AIRE SERVICE BULLETIN NO. A320C110-5B001
- AISLE WIDTHS MUST MEET REQUIREMENTS SET FORTH IN EASA \$25.815
- EMERGENCY EXITS MUST BE ACCESSIBLE PER EASA \$25.813
- EMERGENCY EXITS MUST BE MARKED IN ACCORDANCE WITH EASA \$25.811
- ALL LIFE VESTS MUST CONFORM TO J/E/TSO C-13
- CREW OXYGEN MASKS MUST MEET ALL REQUIREMENTS IN EASA CS 25.1439
- STORAGE PROVISIONS FOR ALL EMERGENCY EQUIPMENT MUST BE MARKED TO IDENTIFY THEIR CONTENTS IAW EASA \$25.1561
- "FASTEN SEAT BELT" AND "NO SMOKING" SIGNS MUST BE VISIBLE TO EACH PERSON SEATED IN THE PASSENGER CABIN
- ALL SEAT BACKS AND BULKHEADS MUST HAVE "FASTEN SEAT BELT WHILE SEATED" PLACARD
- SEAT REFERENCE LINE IS TAKEN FROM POINT OF ATTACHMENT TO AIRCRAFT SEAT TRACKS
- ALL SEATS MUST CONFORM TO RESPECTIVE TSO/ETSO
- TIGHTEN THE REAR TRACK FITTING FASTENER AS PER CMM
- INSTALLATION AND SEATS TOLERANCE AS PER CMM
- INSTALL SEAT ROW PLACARDS IAW AMM.

POST-INSTALLATION NOTES:

- ENSURE EACH OXYGEN MASK DROPS WITHIN THE REQUIRED ZONE ABOVE PASSENGER SEAT
- ENSURE NO SMOKING/FASTEN SEAT BELT SIGN IS VISIBLE TO EACH PASSENGER WHILE SEATED
- ENSURE EMERGENCY ESCAPE PATH MARKING IS DIRECTLY VISIBLE ALONG THE WHOLE PASSENGER CABIN AND ALSO NO OBJECT OR CARPET COVERS IT AT ANY POINT OF EMERGENCY EXIT AISLES
- REQUIRED AISLE WIDTH DIMENSIONS IN COMPLIANCE WITH EASA CS25
- SEATS AT FIRST ROWS ARE TO HAVE MINIMUM HEADSTRIKE CLEARANCE OF 35" FROM SEAT REFERENCE POINT
- ENSURE THAT EACH SEAT HAS LIFE VEST INSTALLED.
- MAKE SURE THAT LIFE VEST LOCATION IS PROPERLY INDICATED IN A VISIBLE PLACE

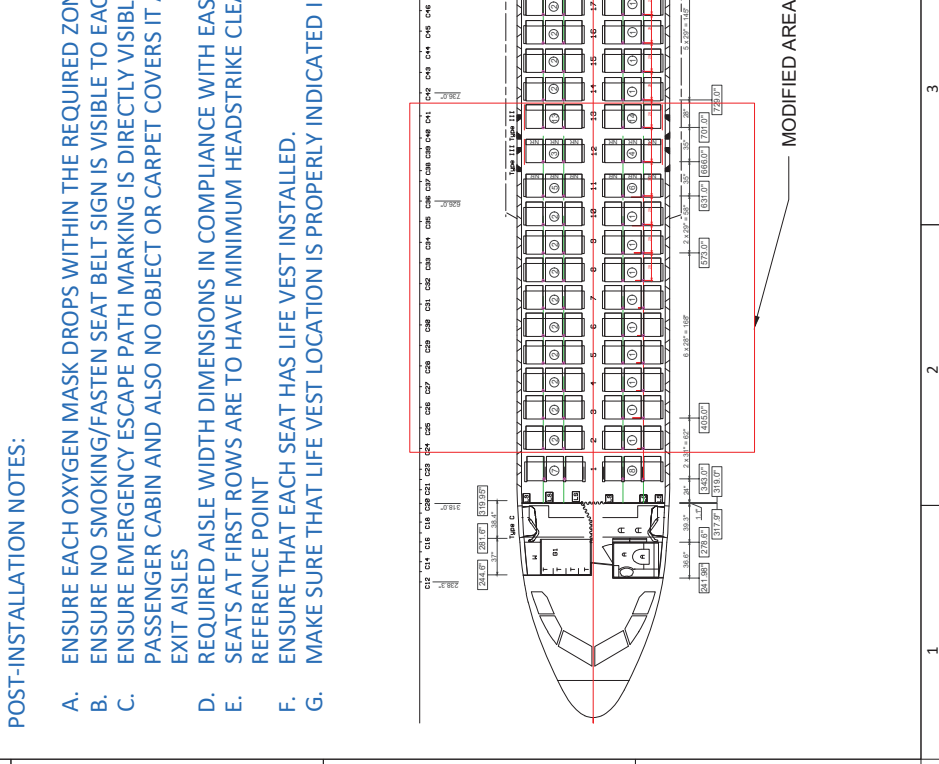




FIGURE 2-E1. LAYOUT OF PASSENGER ACCOMMODATIONS

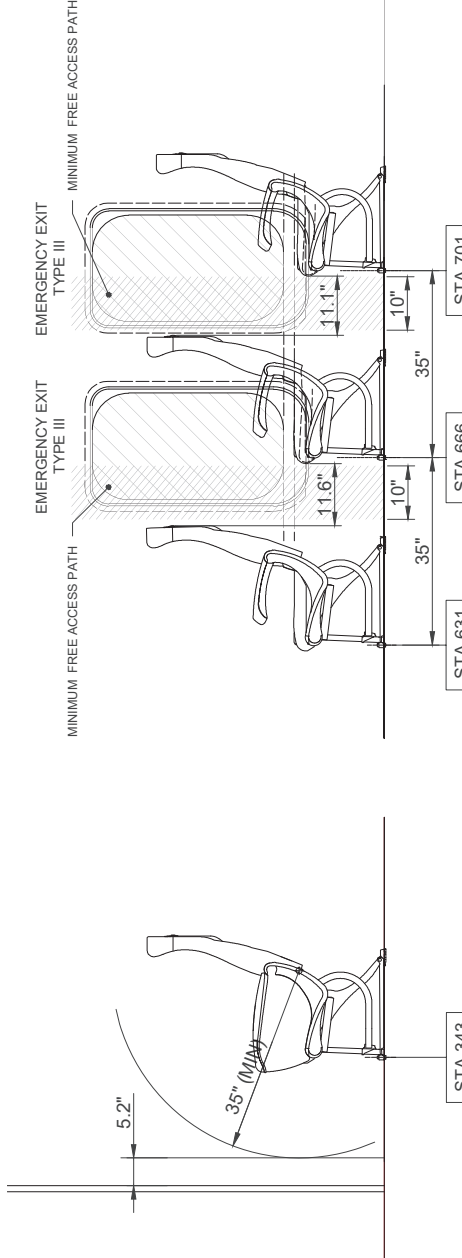


FIGURE 2-C3. PASSENGER SEATS LOCATION IN OVERWING AREA - EMERGENCY EXITS

FIGURE 2-C1. FIRST ROW - MINIMUM DISTANCE TO BULKHEAD - HIC ARCUS

N	NARROW SEAT
NR	NO RECLINE
LS	LITERATURE POCKET
S	STRETCHER PROVISIONS
—	IN ARMREST TABLE

AIRE	
TITLE: LAYOUT OF PASSENGER ACCOMMODATIONS IN AIRBUS A320/MSN 2914	
PREPARED BY: DESIGN OFFICE	DIM: in SCALE: N/A
SIGNATURE ON SHEET 1	AIRCRAFT TYPE: AIRBUS A320-232

DRAWING INFORMATION:
This drawing is property of AIRE SL. It is issued on the condition that it is not copied, reproduced or disclosed to a third party either whole or in part without the consent in writing of AIRE SL.

(REFER TO SHEET 1 FOR FURTHER INFORMATION)

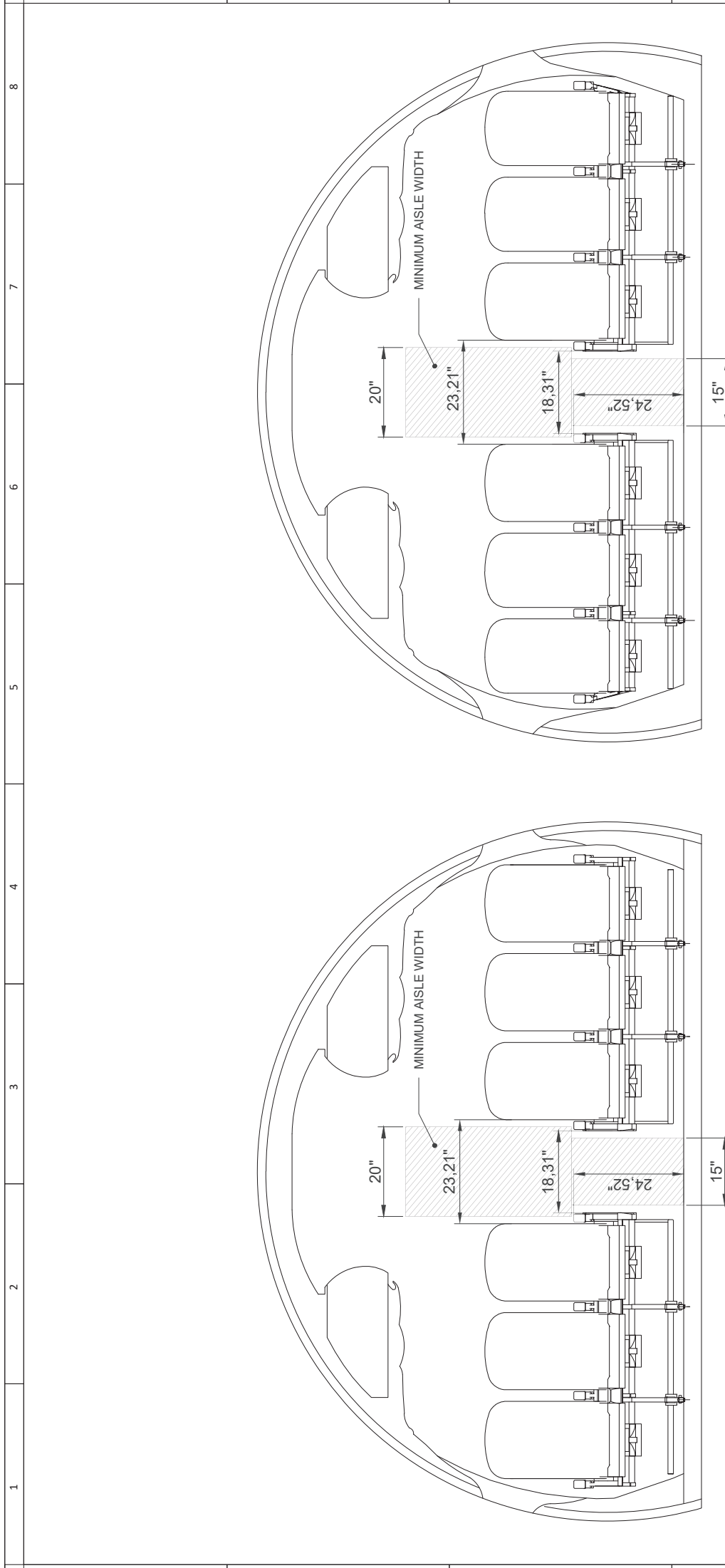


FIGURE 3 - D1. CONSTANT SECTION FRONT VIEW - MINIMUM AISLE WIDTH REQUIREMENTS

FIGURE 3 - D5. CABIN NARROW SECTION FRONT VIEW (C64) - MINIMUM AISLE WIDTH REQUIREMENTS

DRAWING INFORMATION:
 This drawing is property of AIRE SL. It is issued on the condition that it is not copied, reproduced or disclosed to a third party either whole or in part without the consent in writing of AIRE SL.



TITLE:
 LAYOUT OF PASSENGER ACCOMMODATIONS
 IN AIRBUS A320 MSN 2914

PREPARED BY:
 DESIGN OFFICE

REFERENCE:
 DWG-A320C110-2914-LOPA

SIGNATURE ON SHEET 1

AIRCRAFT TYPE:
 AIRBUS A320-232

DIM: in

SCALE: N/A

SHEET: 3/3

ISSUE: 1

(REFER TO SHEET 1 FOR FURTHER INFORMATION)