

**SEATS - PART LIST**

| ITEM | PART NUMBER | DESCRIPTION  | QTY |
|------|-------------|--|-----|
| 1    | 1007496-001 | LH STANDARD TRIPLE   | 24  |
| 2    | 1007496-002 | RH STANDARD TRIPLE   | 24  |
| 3    | 1007496-003 | LH TRIPLE, NO RECLINE, 6.0" SLIDING BACK-MOUNTED FOODTRAY, ONE-WAY FOODTRAY LATCH                                | 1   |
| 4    | 1007496-004 | RH TRIPLE, NO RECLINE, 6.0" SLIDING BACK-MOUNTED FOODTRAY, ONE-WAY FOODTRAY LATCH                                | 1   |
| 5    | 1007496-005 | LH TRIPLE, NO RECLINE, 1.0" UPRIGHT, 6.0" SLIDING BACK-MOUNTED FOODTRAY, ONE-WAY FOODTRAY LATCH, NO OUTBOARD ARM | 1   |
| 6    | 1007496-006 | RH TRIPLE, NO RECLINE, 1.0" UPRIGHT, 6.0" SLIDING BACK-MOUNTED FOODTRAY, ONE-WAY FOODTRAY LATCH, NO OUTBOARD ARM | 1   |
| 7    | 1007496-007 | LH TRIPLE, NO OUTBOARD ARM   | 1   |
| 8    | 1007496-008 | RH TRIPLE, NO OUTBOARD ARM   | 1   |
| 9    | 1007496-009 | LH TRIPLE, NARROW 2.0"   | 1   |
| 10   | 1007496-010 | RH TRIPLE, NARROW 2.0"   | 1   |
| 11   | 1007496-011 | LH TRIPLE, NARROW 2.0", NO RECLINE, NO BACK-MOUNTED FOODTRAY   | 1   |
| 12   | 1007496-012 | RH TRIPLE, NARROW 2.0", NO RECLINE, NO BACK-MOUNTED FOODTRAY   | 1   |
| 13   | 1007496-101 | LH TRIPLE, IN-ARM TABLE  | 1   |
| 14   | 1007496-102 | RH TRIPLE, IN-ARM TABLE  | 1   |

**AIRE**

**TITLE:** LAYOUT OF PASSENGER ACCOMMODATIONS IN AIRBUS A320 MSN 3531

**PREPARED BY:** DESIGN OFFICE

**REFERENCE:** DWG-A320C110-3531-LOPA

**SCALE:** N/A

**ISSUE:** 1

**AIRCRAFT TYPE:** AIRBUS A320-232

**DRAWING INFORMATION:** This drawing is property of AIRE SL. It is issued on the condition that it is not copied, reproduced or disclosed to a third party either whole or in part without the consent in writing of AIRE SL.

**Jose Alvarez**

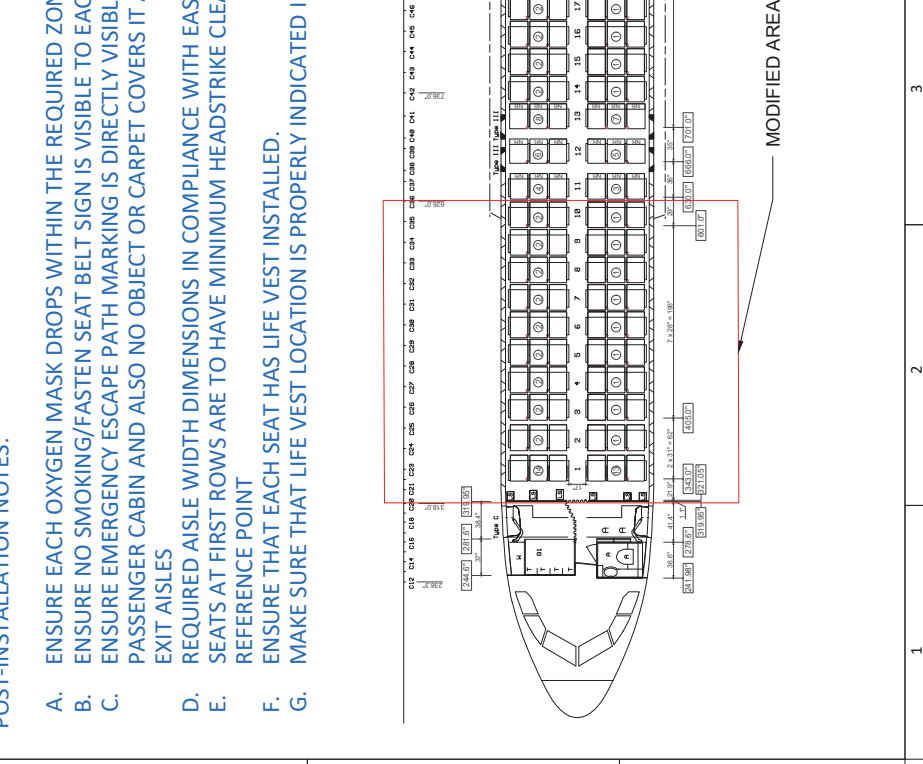
**AIRE**

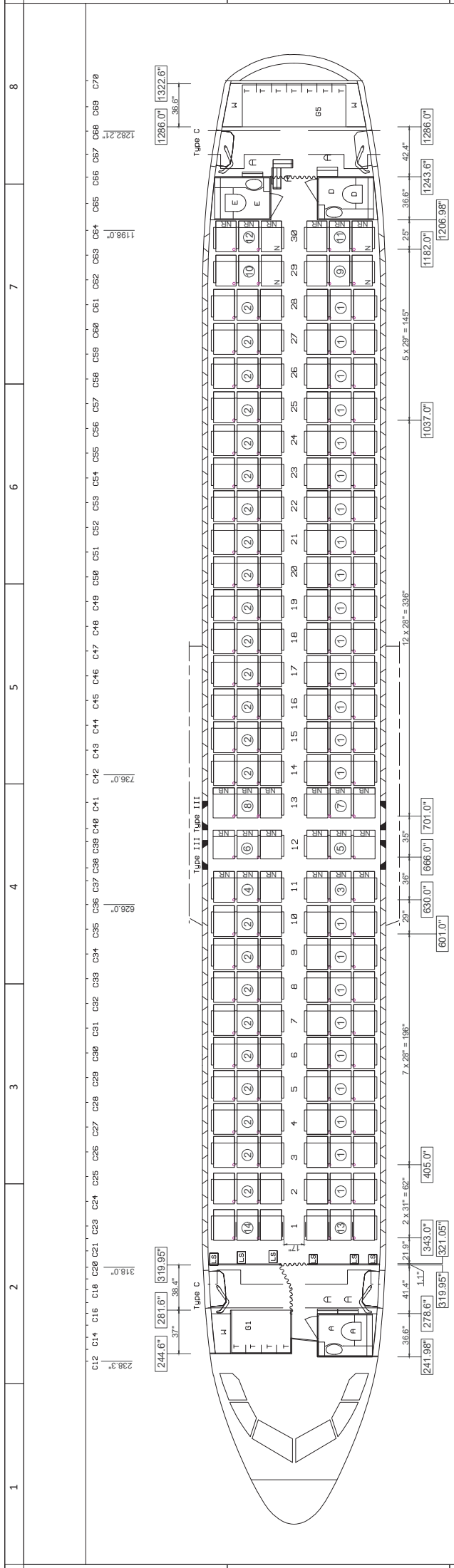
NOTES:

- REARRANGEMENT OF AIRCRAFT LAYOUT OF PASSENGER ACCOMMODATIONS IS TO BE PERFORMED IAW THIS DRAWING AND INSTRUCTIONS SHOWN ON AIRE SERVICE BULLETIN NO. A320C110-5B001
- AISLE WIDTHS MUST MEET REQUIREMENTS SET FORTH IN EASA \$25.815
- EMERGENCY EXITS MUST BE ACCESSIBLE PER EASA \$25.813
- EMERGENCY EXITS MUST BE MARKED IN ACCORDANCE WITH EASA \$25.811
- ALL LIFE VESTS MUST CONFORM TO J/E/TSO C-13
- CREW OXYGEN MASKS MUST MEET ALL REQUIREMENTS IN EASA CS 25.1439
- STORAGE PROVISIONS FOR ALL EMERGENCY EQUIPMENT MUST BE MARKED TO IDENTIFY THEIR CONTENTS IAW EASA \$25.1561
- "FASTEN SEAT BELT" AND "NO SMOKING" SIGNS MUST BE VISIBLE TO EACH PERSON SEATED IN THE PASSENGER CABIN
- ALL SEAT BACKS AND BULKHEADS MUST HAVE "FASTEN SEAT BELT WHILE SEATED" PLACARD
- SEAT REFERENCE LINE IS TAKEN FROM POINT OF ATTACHMENT TO AIRCRAFT SEAT TRACKS
- ALL SEATS MUST CONFORM TO RESPECTIVE TSO/ETSO
- TIGHTEN THE REAR TRACK FITTING FASTENER AS PER CMM
- INSTALLATION AND SEATS TOLERANCE AS PER CMM
- INSTALL SEAT ROW PLACARDS IAW AMM.

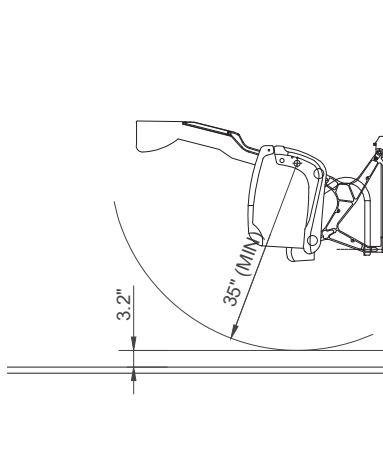
POST-INSTALLATION NOTES:

- ENSURE EACH OXYGEN MASK DROPS WITHIN THE REQUIRED ZONE ABOVE PASSENGER SEAT
- ENSURE NO SMOKING/FASTEN SEAT BELT SIGN IS VISIBLE TO EACH PASSENGER WHILE SEATED
- ENSURE EMERGENCY ESCAPE PATH MARKING IS DIRECTLY VISIBLE ALONG THE WHOLE PASSENGER CABIN AND ALSO NO OBJECT OR CARPET COVERS IT AT ANY POINT OF EMERGENCY EXIT AISLES
- REQUIRED AISLE WIDTH DIMENSIONS IN COMPLIANCE WITH EASA CS25
- SEATS AT FIRST ROWS ARE TO HAVE MINIMUM HEADSTRIKE CLEARANCE OF 35" FROM SEAT REFERENCE POINT
- ENSURE THAT EACH SEAT HAS LIFE VEST INSTALLED.
- MAKE SURE THAT LIFE VEST LOCATION IS PROPERLY INDICATED IN A VISIBLE PLACE

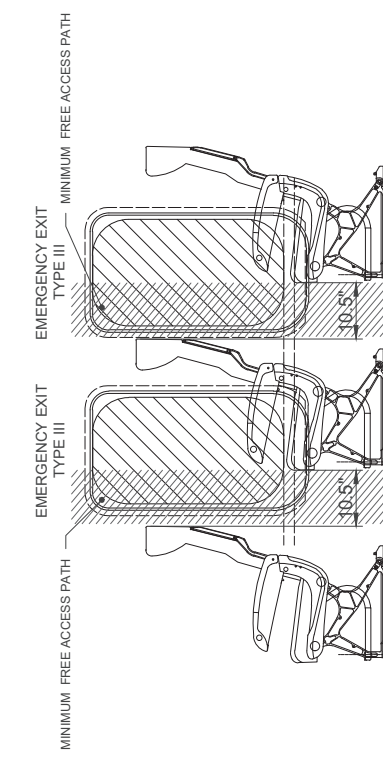




**FIGURE 2-EL. LAYOUT OF PASSENGER ACCOMMODATIONS**



**FIGURE 2 - C1. FIRST ROW - MINIMUM DISTANCE TO BULKHEAD - HIC ARCUS**



**FIGURE 2 - C3. PASSENGER SEATS LOCATION IN OVERWING AREA - EMERGENCY EXITS FREE ACCESS PATH**

|    |                   |
|----|-------------------|
| N  | NARROW SEAT       |
| NR | NO RECLINE        |
| LS | LITERATURE POCKET |
| NB | NO BREAK OVER     |
| —  | IN ARMREST TABLE  |

**AIRE**

**TITLE:** LAYOUT OF PASSENGER ACCOMMODATIONS IN AIRBUS A320 MSN 3531

**PREPARED BY:** DIM: in

**DESIGN OFFICE:** DWG-A320C110-3531-LOPA SCALE: N/A

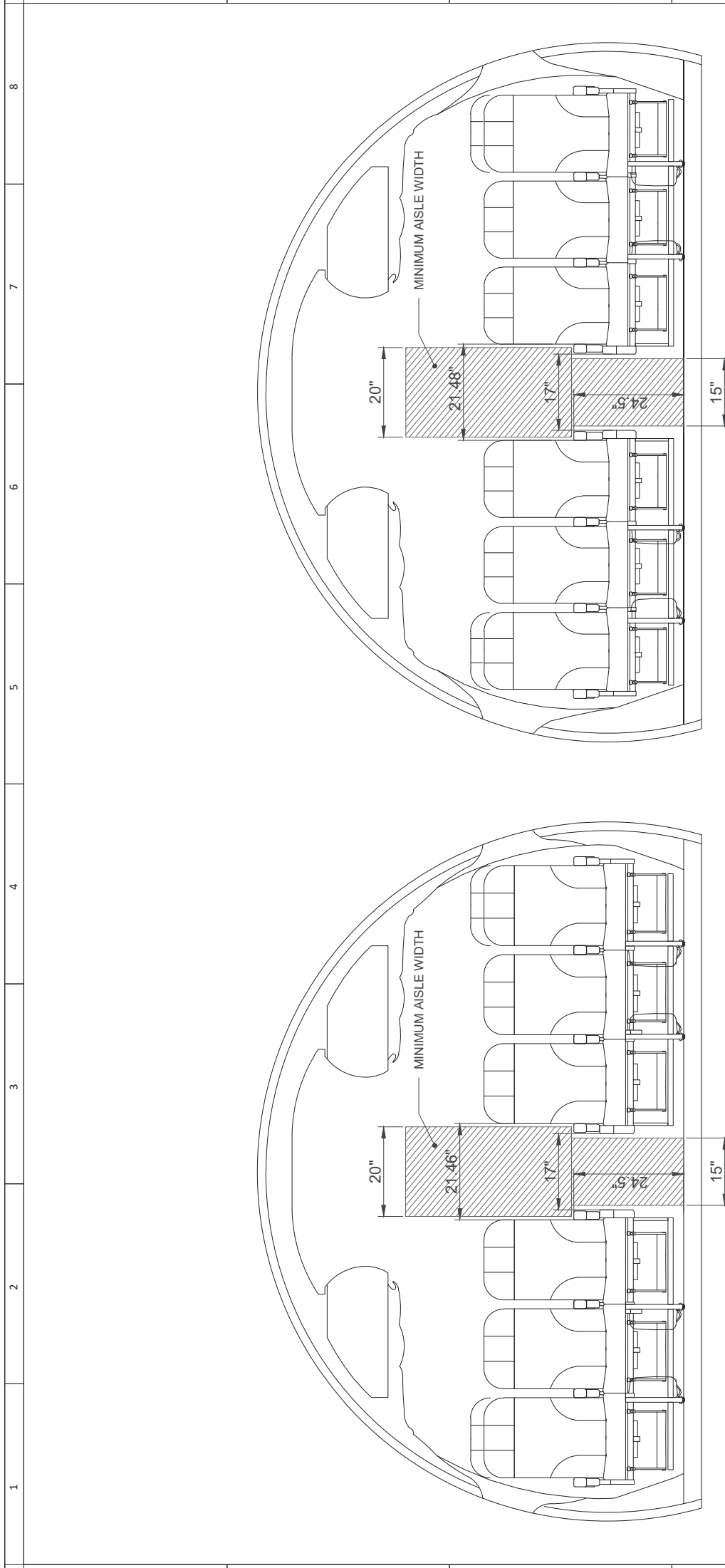
**SIGNATURE ON SHEET 1:** AIRCRAFT TYPE: AIRBUS A320-232

**SHEET: 2/3**

**ISSUE: 1**

**DRAWING INFORMATION:**  
 This drawing is property of AIRE SL. It is issued on the condition that it is not copied, reproduced or disclosed to a third party either whole or in part without the consent in writing of AIRE SL.

(REFER TO SHEET 1 FOR FURTHER INFORMATION)



**FIGURE 3 - D1. CONSTANT SECTION FRONT VIEW - MINIMUM AISLE WIDTH REQUIREMENTS**

**FIGURE 3 - D5. CABIN NARROW SECTION FRONT VIEW (C64) - MINIMUM AISLE WIDTH REQUIREMENTS**

**DRAWING INFORMATION:**  
 This drawing is property of AIRE SL. It is issued on the condition that it is not copied, reproduced or disclosed to a third party either whole or in part without the consent in writing of AIRE SL.



|                             |  |
|-----------------------------|--|
| <b>TITLE:</b>               | LAYOUT OF PASSENGER ACCOMMODATIONS IN AIRBUS A320 MSN 3531 |
| <b>PREPARED BY:</b>         | DIM: in  |
| <b>DESIGN OFFICE:</b>       | SCALE: N/A   |
| <b>SIGNATURE ON SHEET 1</b> | <b>AIRCRAFT TYPE:</b><br>AIRBUS A320-232                   |
|                             | <b>SHEET:</b> 3/3  |
|                             | <b>ISSUE:</b> 1  |

(REFER TO SHEET 1 FOR FURTHER INFORMATION)